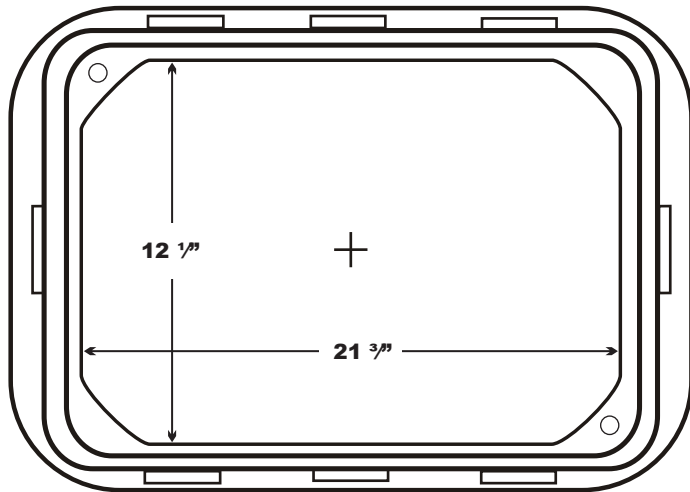
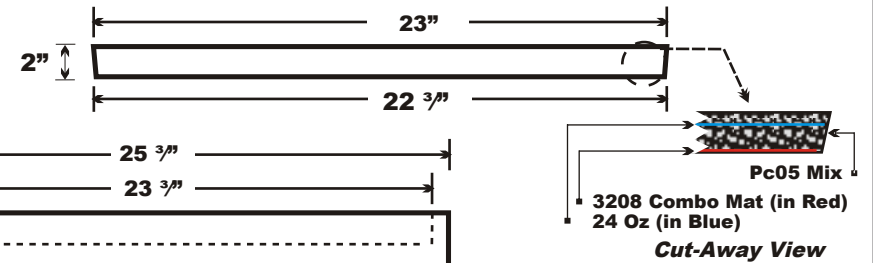
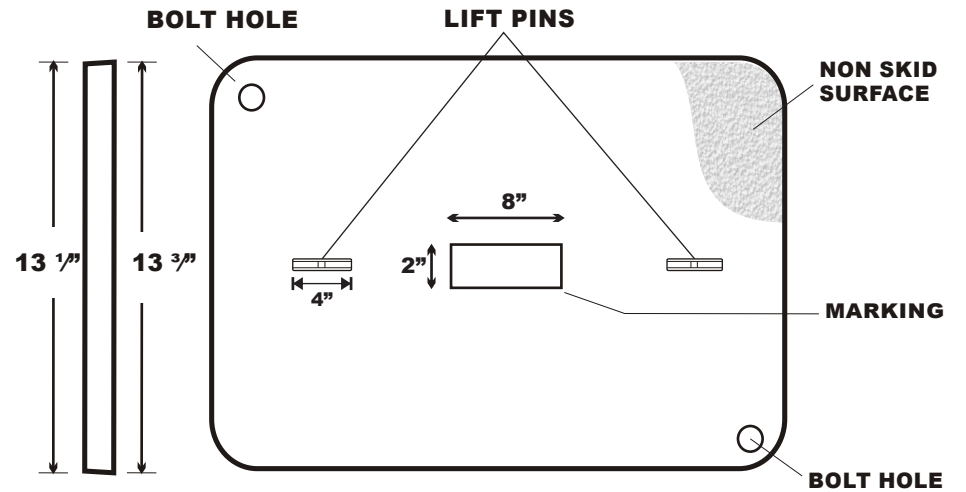


1324 FRP Series / Tier 15

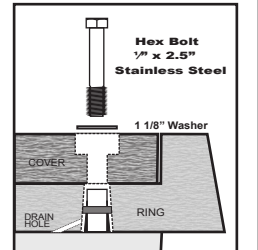
TOP VIEW



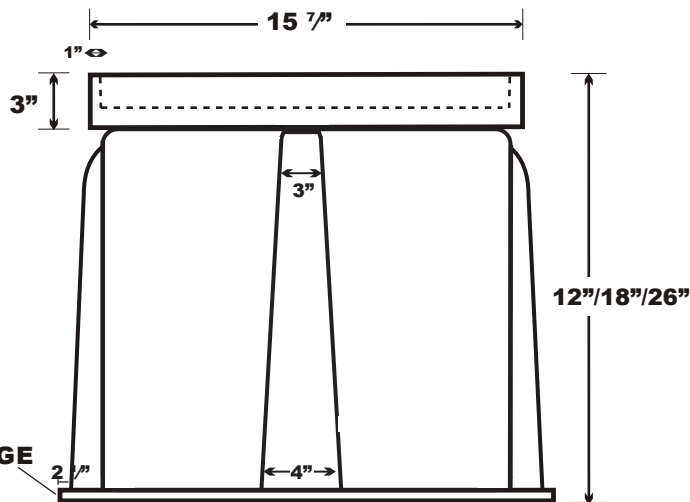
COVER VIEW



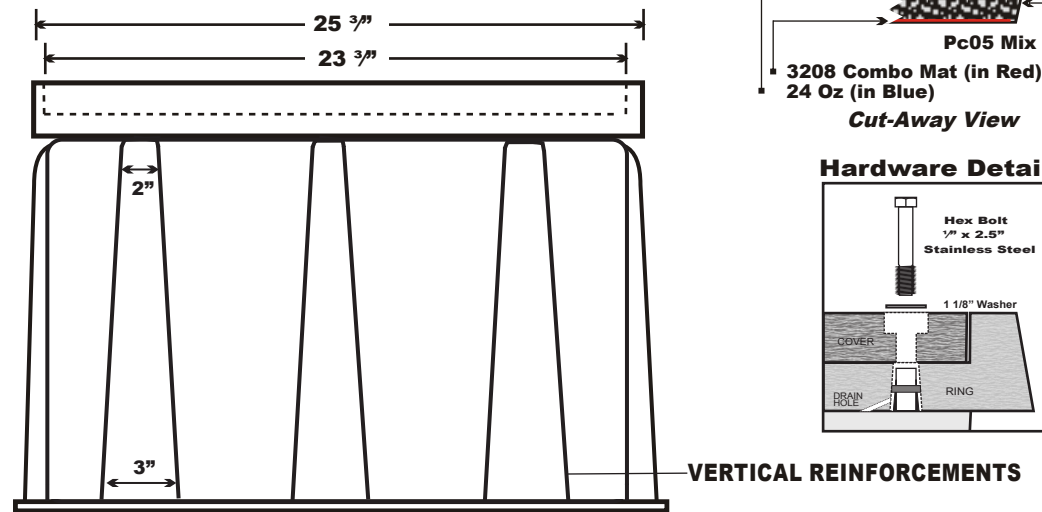
Hardware Detail



FLANGE



END VIEW



SIDE VIEW

Part Number 1324 FRP Series				Martin Enterprises	
Body: FRP		Cover: Polymer Concrete		<i>"Your Underground Enclosure Experts"</i>	
Weight: 95-110lbs.	Tolerance +/- 1/8"	ANSI/SCTE 77 2013		ISO 9001:2008 Registered Firm	
October 17 2014	File: 1324 FRP Series	Tier 15 Rated		QuEST Forum / TL9000 Registered	
This product design is the sole property of Martin Enterprises. This design is NOT to be altered unless written permission is granted by Martin Enterprises.					
			www.martinfrp.com		