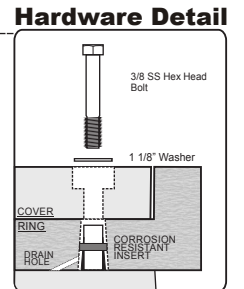
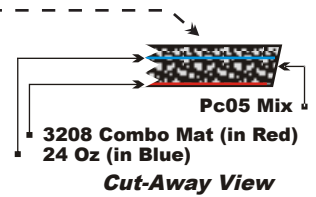
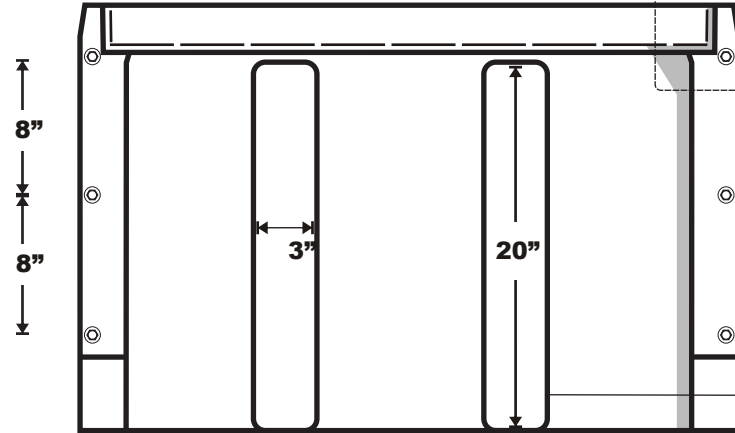
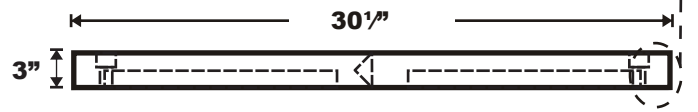
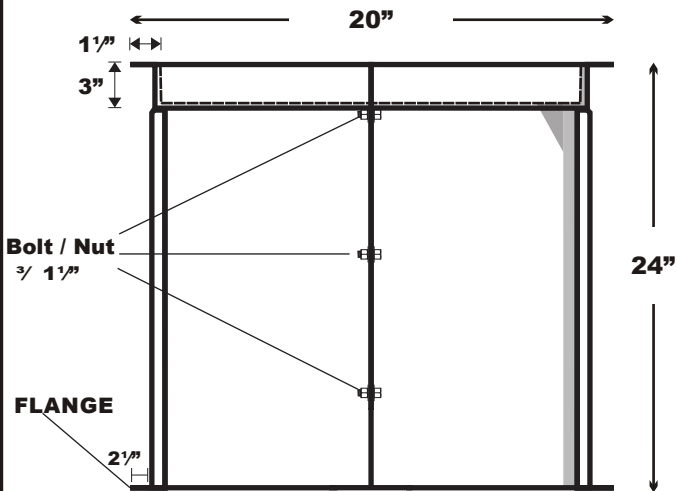
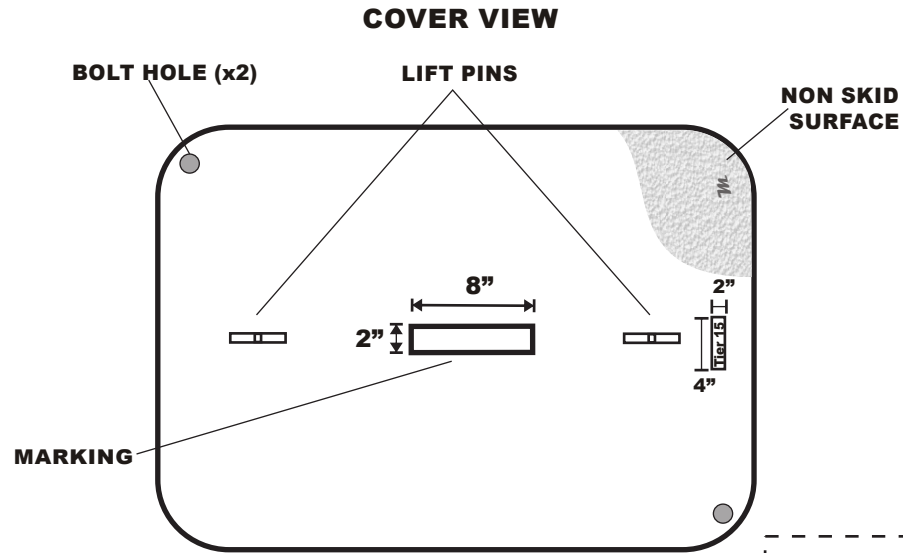
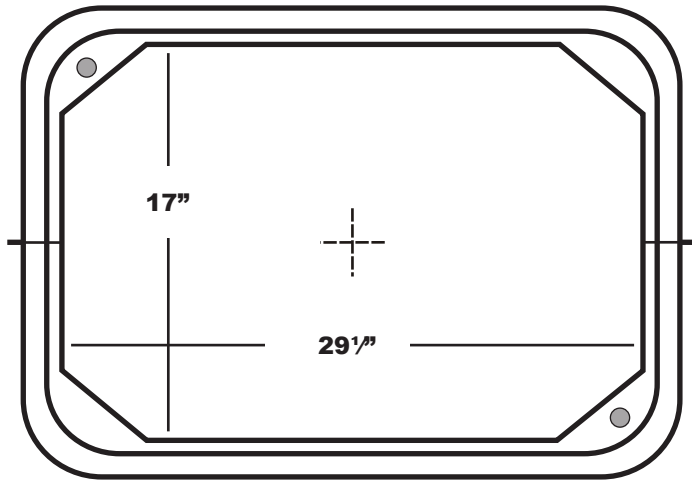






1730/24 FRP-N / Tier 15



VERTICAL REINFORCEMENTS

SIDE VIEW

END VIEW

Part Number 1730/24 FRP-N			 Martin Enterprises "Your Underground Enclosure Experts" ISO 9001:2008 Registered Firm QuEST Forum / TL9000 Registered
Body: FRP		Cover: Polymer Concrete	
Weight 192 lbs.	Tolerance +/- 1/8"	ANSI/SCTE 77 2013	   FERRY JOHNSON REGISTRARS, INC. www.martinfrp.com
October 17, 2014	File 1730/24 FRP-N	Tier 15 Rated	
This product design is the sole property of Martin Enterprises. This design is NOT to be altered unless written permission is granted by Martin Enterprises.			