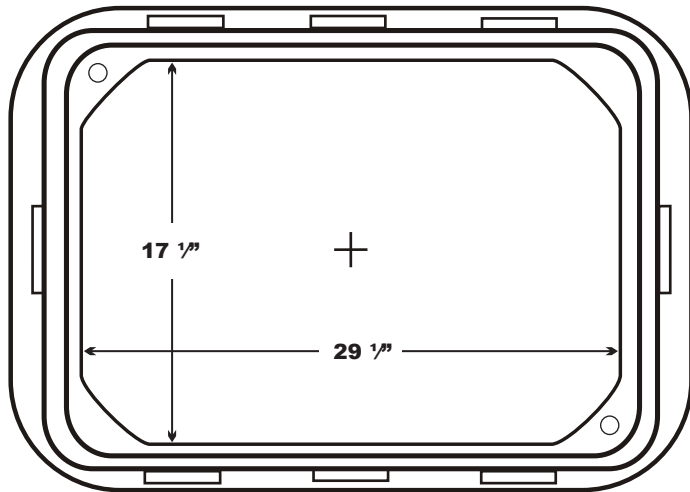
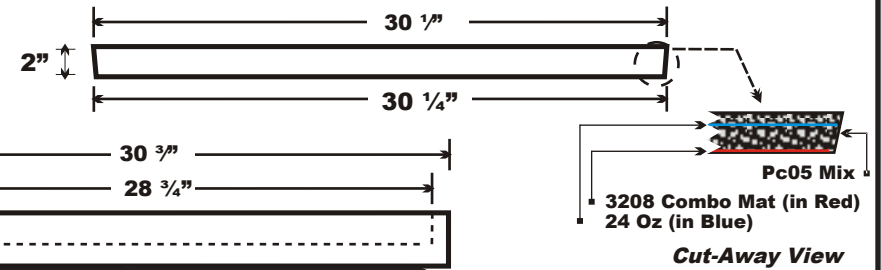
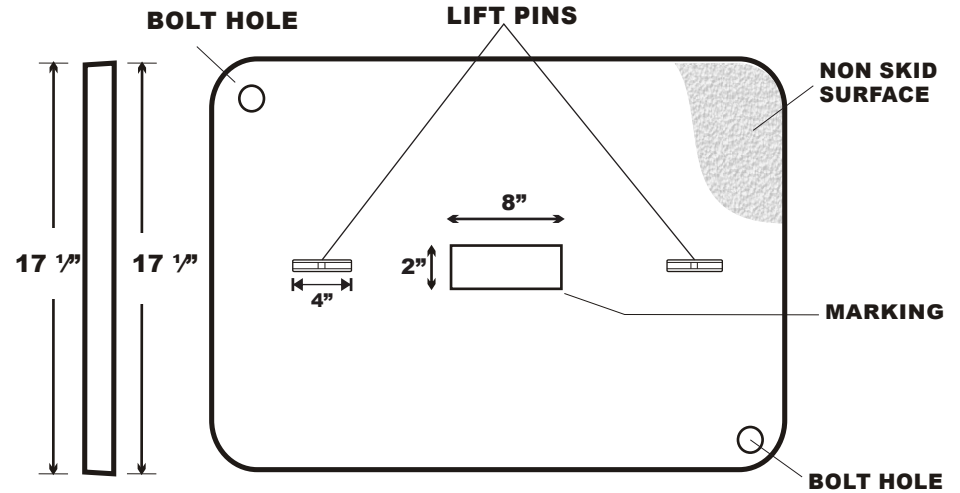


1730 FRP Series / Tier 15

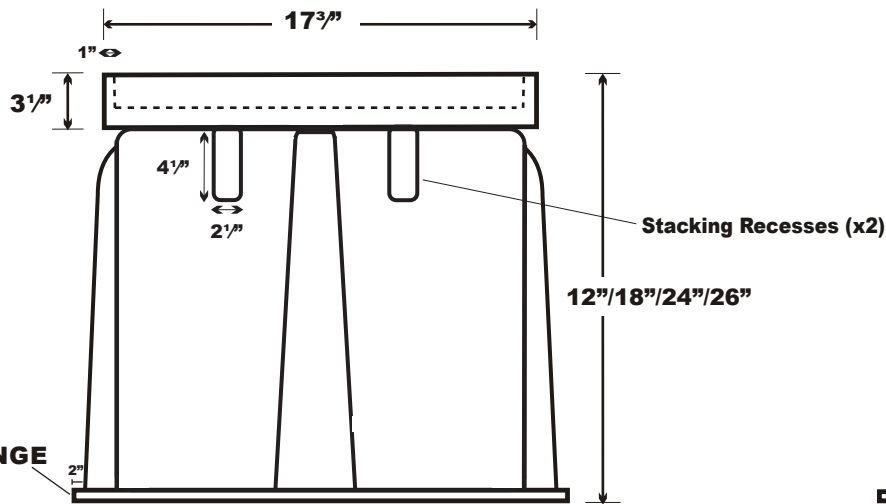
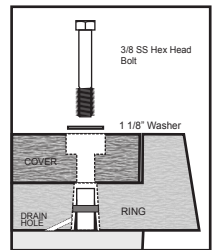
TOP VIEW



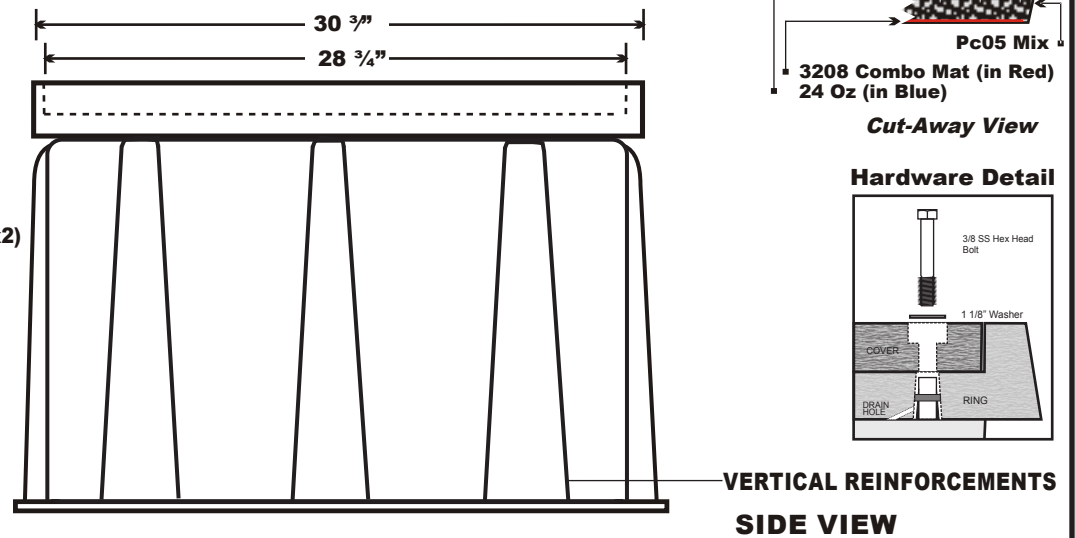
COVER VIEW



Hardware Detail



END VIEW



VERTICAL REINFORCEMENTS SIDE VIEW

Part Number 1730 FRP Series		
Body: FRP	Cover: Polymer Concrete	
Weight: 110-150lbs.	Tolerance +/- 1/8"	ANSI/SCTE 77 2013
October 17 2014	File: 1730 FRP Series	Tier 15 Rated
This product design is the sole property of Martin Enterprises. This design is NOT to be altered unless written permission is granted by Martin Enterprises.		



Martin Enterprises

"Your Underground Enclosure Experts"

ISO 9001:2008 Registered Firm
QuEST Forum / TL9000 Registered



www.martinfrp.com