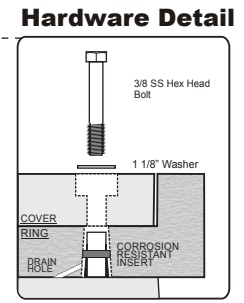
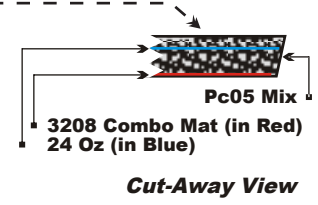
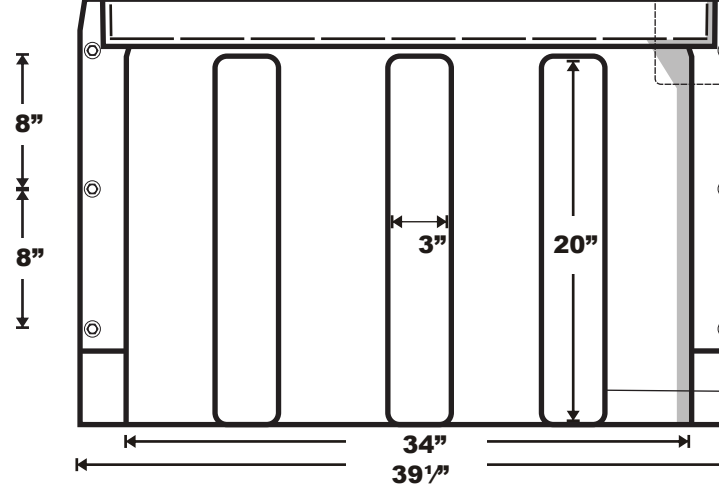
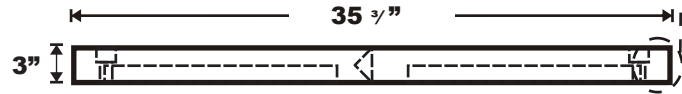
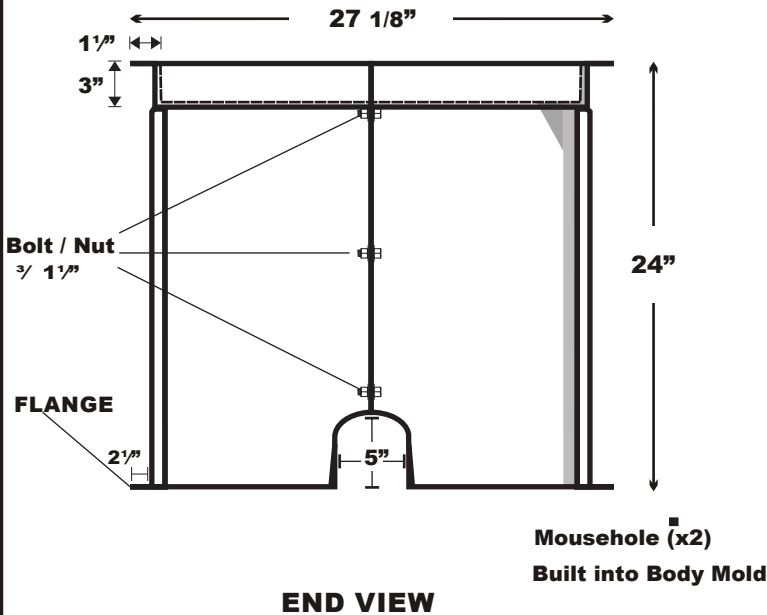
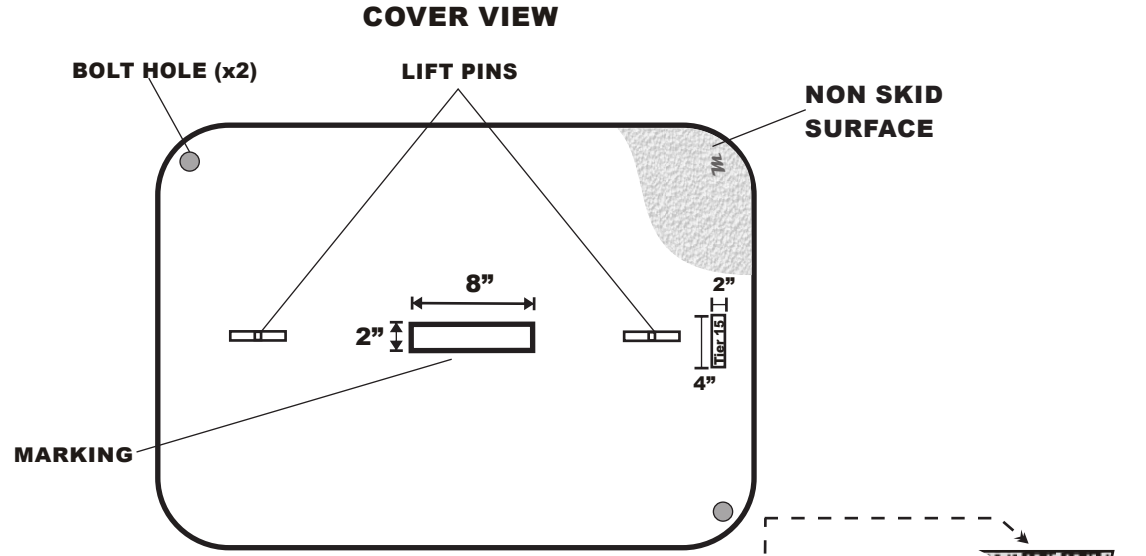
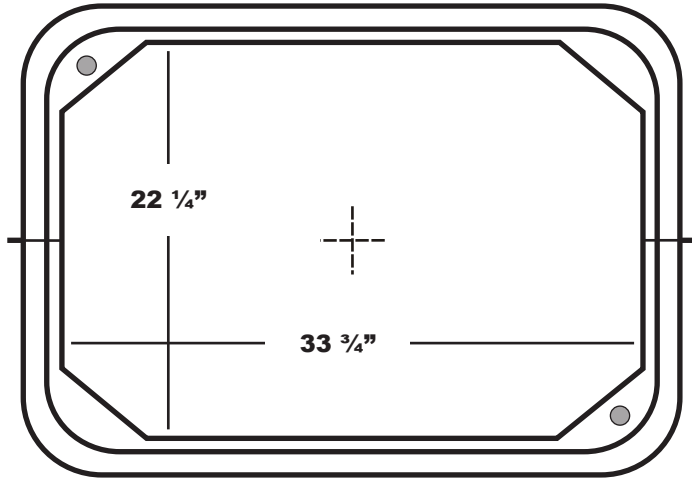


# 2436/24 FRP-N / Tier 15



<b>Part Number 2436/24 FRP-N</b>		
<b>Body: FRP</b>	<b>Cover: Polymer Concrete</b>	
<b>Weight 192 lbs.</b>	<b>Tolerance +/- 1/8"</b>	<b>ANSI/SCTE 77 2013</b>
<b>October 17, 2014</b>	<b>File 2436/24 FRP-N</b>	<b>Tier 15 Rated</b>
This product design is the sole property of Martin Enterprises. This design is NOT to be altered unless written permission is granted by Martin Enterprises.		

**Martin Enterprises**  
 "Your Underground Enclosure Experts"  
 ISO 9001:2008 Registered Firm  
 QuEST Forum / TL9000 Registered

**ANAB** ACCREDITED  
 FERRY JOHNSON REGISTRARS, INC.  
 www.martinfrp.com

**QuEST** FORUM