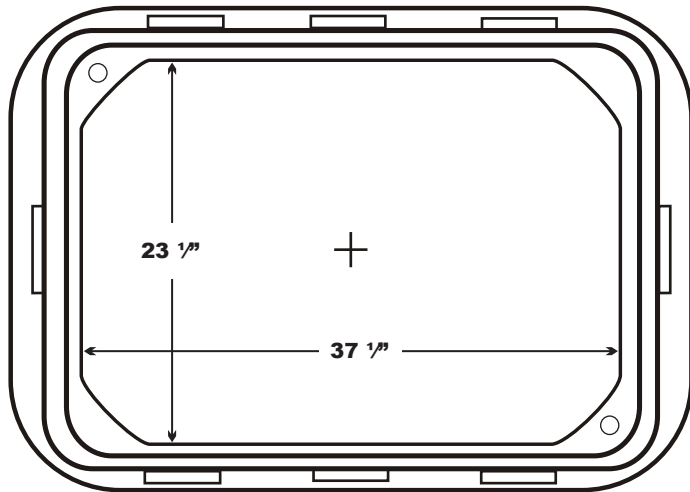
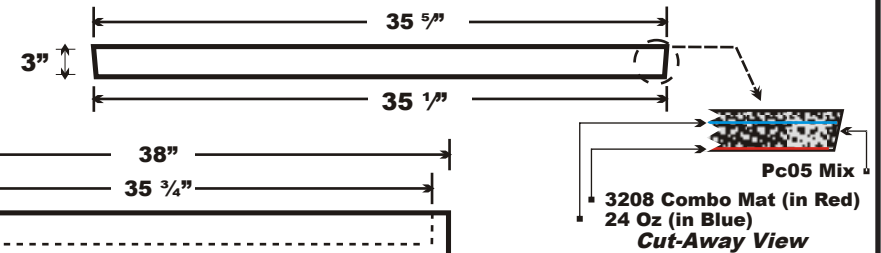
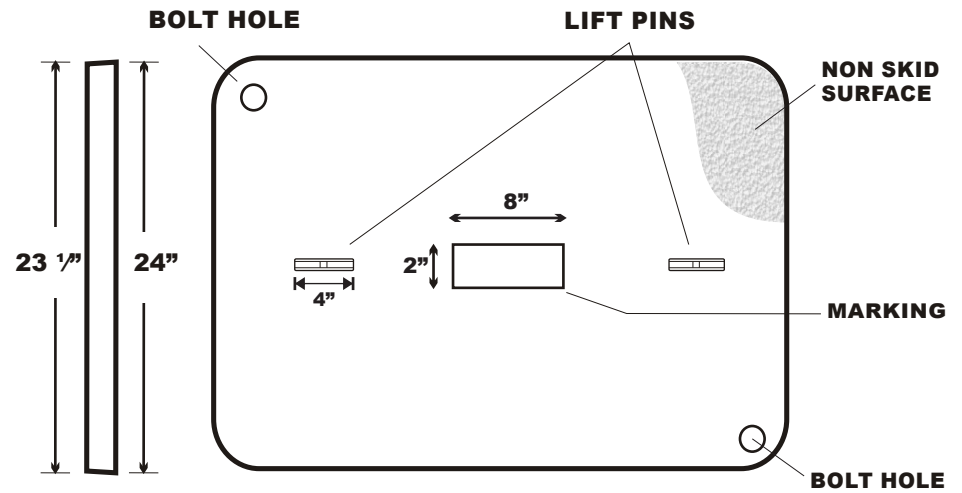


# 2436 FRP Series / Tier 15

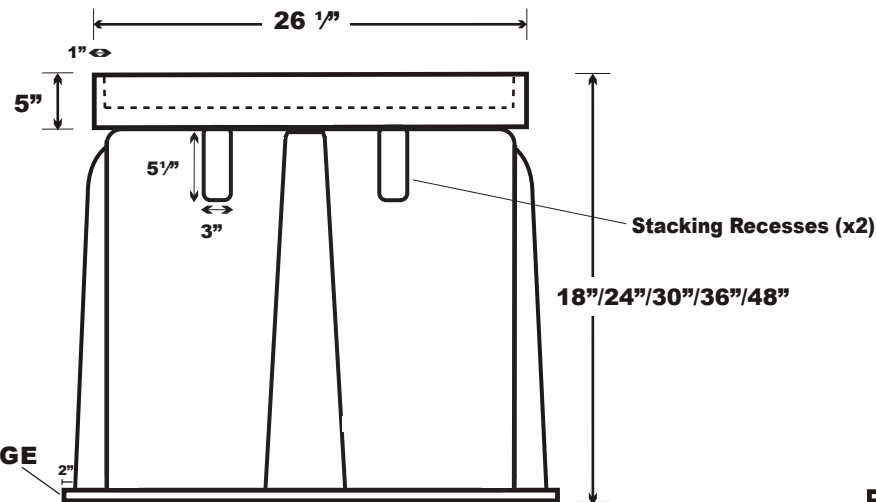
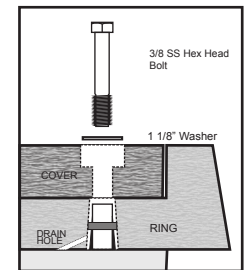
**TOP VIEW**



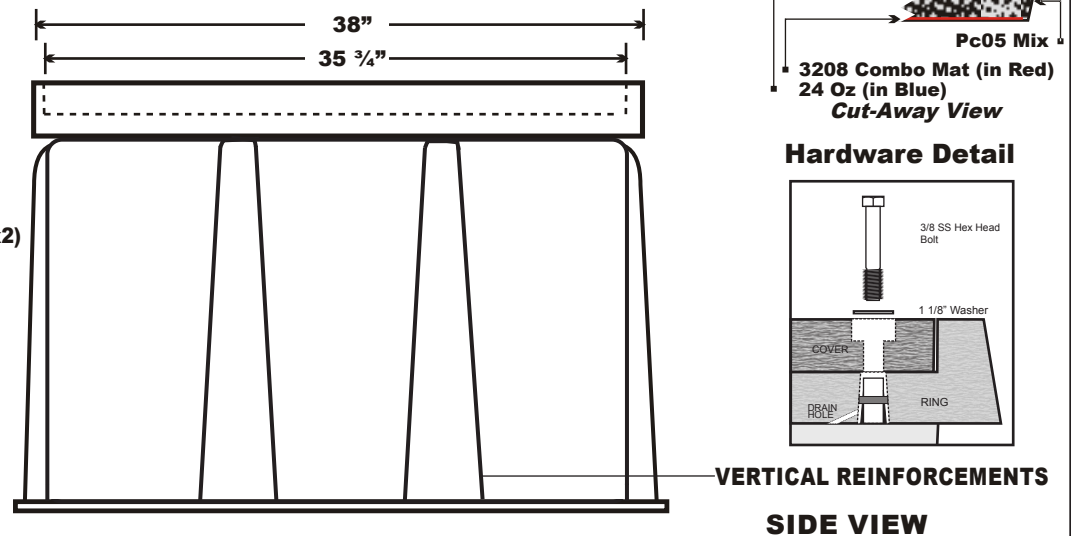
**COVER VIEW**



**Hardware Detail**



**END VIEW**



**SIDE VIEW**

<b>Part Number 2436 FRP Series</b>		
<b>Body: FRP</b>	<b>Cover: Polymer Concrete</b>	
<b>Weight: 215-350lbs.</b>	<b>Tolerance +/- 1/8"</b>	<b>ANSI/SCTE 77 2013</b>
<b>October 17 2014</b>	<b>File: 2436 FRP Series</b>	<b>Tier 15 Rated</b>
This product design is the sole property of Martin Enterprises. This design is NOT to be altered unless written permission is granted by Martin Enterprises.		

**Martin Enterprises**  
"Your Underground Enclosure Experts"  
ISO 9001:2008 Registered Firm  
QuEST Forum / TL9000 Registered

**ANAB** ACCREDITED  
www.martinfrp.com