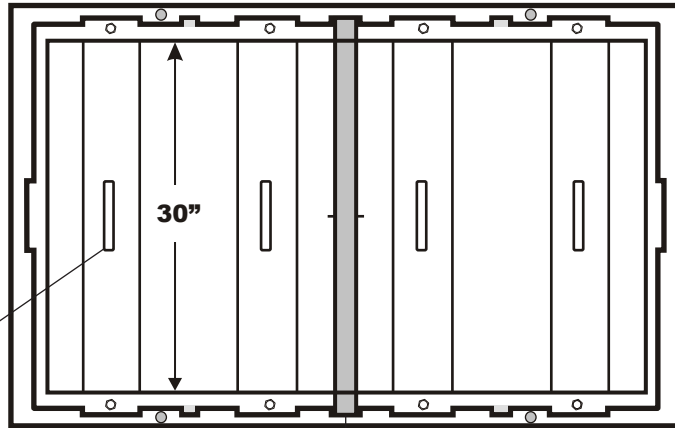
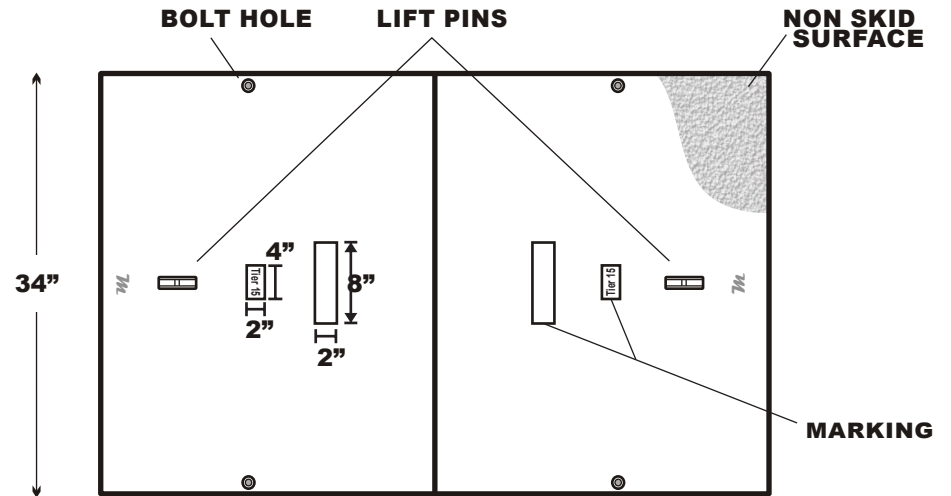


3060/30 Split Floor FRP / 2 Piece Cover / Tier 15

TOP VIEW

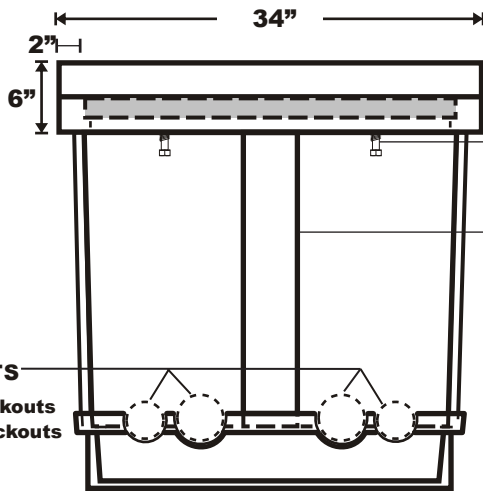
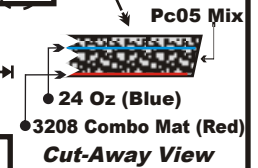


COVER VIEW



FLOOR DRAINS

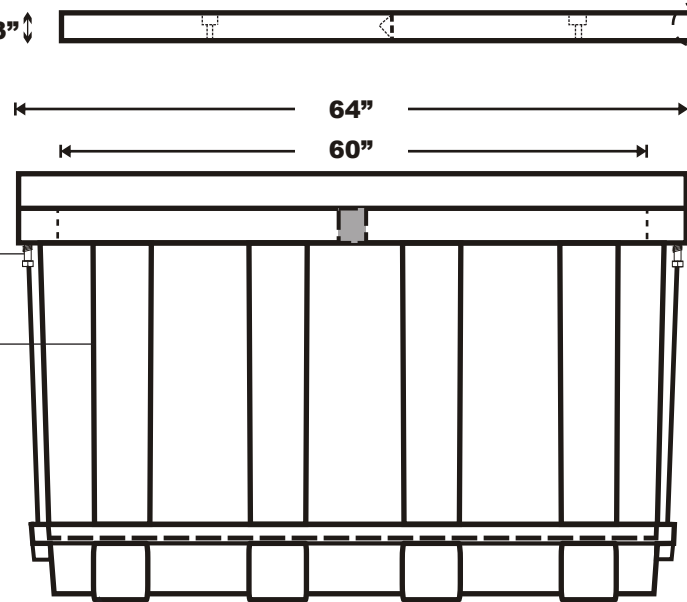
DROP IN STEEL BEAMS (2.5" x 1")



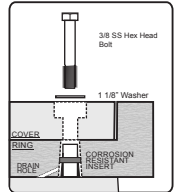
LIFTING BOLTS

VERTICAL REINFORCEMENTS

30"



Hardware Detail



SIDE VIEW

END VIEW

Part Number 3060/30 Split Floor FRP		
Body: FRP	Cover: Polymer Concrete	Floor:FRP
Weight 555lbs.	Tolerance +/- 1/8"	ANSI/SCTE 77 2013
November 4, 2014	File 3060/30 Split Floor FRP	Tier 15 Rated
This product design is the sole property of Martin Enterprises. This design is NOT to be altered unless written permission is granted by Martin Enterprises.		

Martin Enterprises
"Your Underground Enclosure Experts"

ISO 9001:2008 Registered Firm
QuEST Forum / TL9000 Registered

www.martinfrp.com