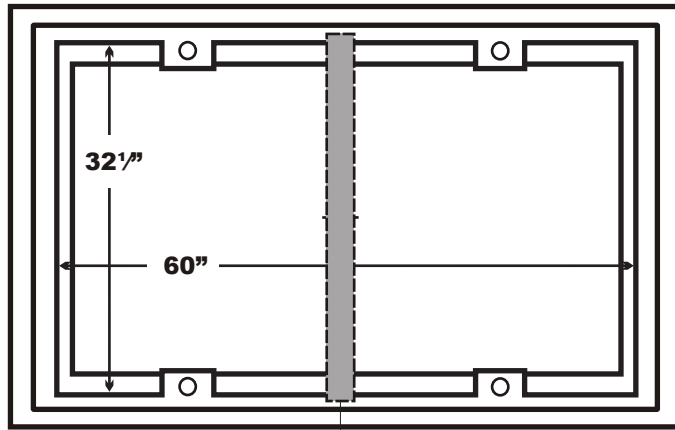


# 3060/36 FRP / 2 Piece Cover / Tier 15

**TOP VIEW**

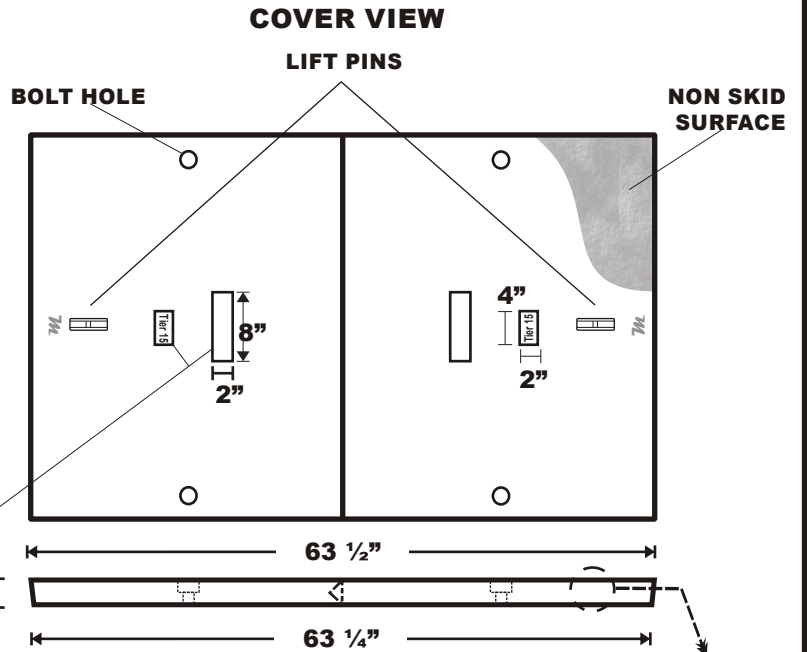


**DROP IN STEEL BEAMS (2" X 1" X 32")**

33 1/2"

33 3/4"

**MARKING**

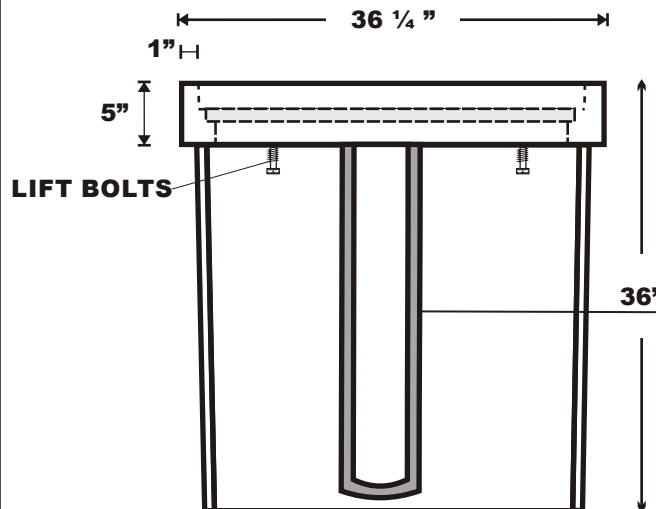


**COVER VIEW**

**LIFT PINS**

**BOLT HOLE**

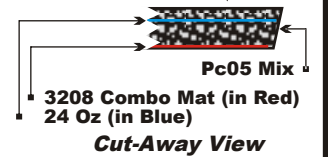
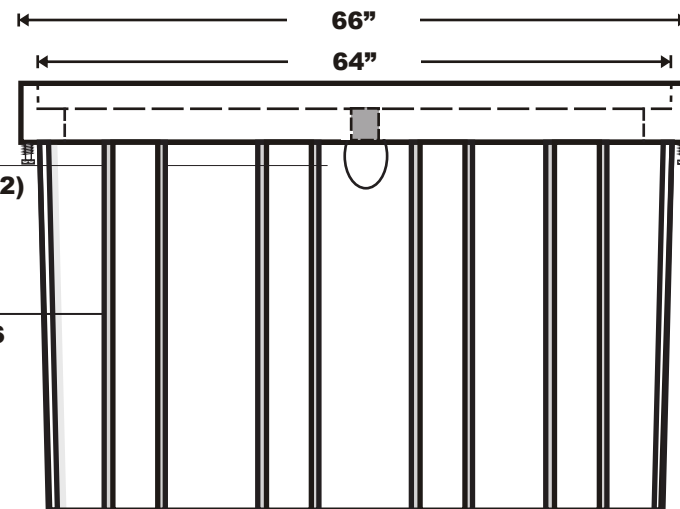
**NON SKID SURFACE**



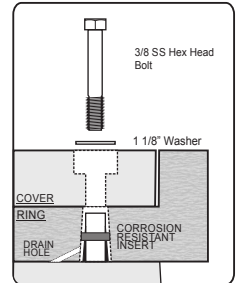
**END VIEW**

**WIRE CABLE LIFTING LOOP (x2)**

**VERTICAL REINFORCEMENTS**



**Hardware Detail**



**SIDE VIEW**

<b>Part Number 3060/36 FRP</b>		
<b>Body: FRP</b>	<b>Cover Polymer Concrete</b>	
<b>Weight 580lbs.</b>	<b>Tolerance +/- 1/8"</b>	<b>ANSI/SCTE 77 2013</b>
<b>November 4, 2014</b>	<b>File 3060/36 FRP</b>	<b>Tier 15 Rated</b>
This product design is the sole property of Martin Enterprises. This design is NOT to be altered unless written permission is granted by Martin Enterprises.		

**Martin Enterprises**  
"Your Underground Enclosure Experts"

ISO 9001:2008 Registered Firm  
QuEST Forum / TL9000 Registered

HERRY JOHNSON REGISTRARS, INC. [www.martinfrp.com](http://www.martinfrp.com)