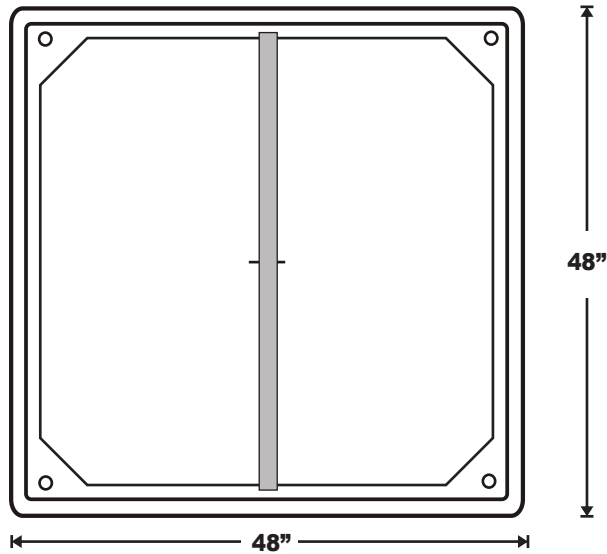
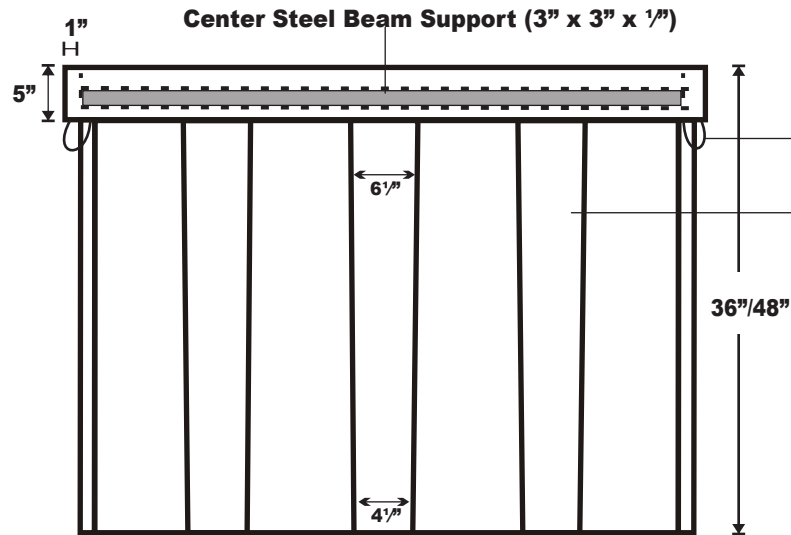
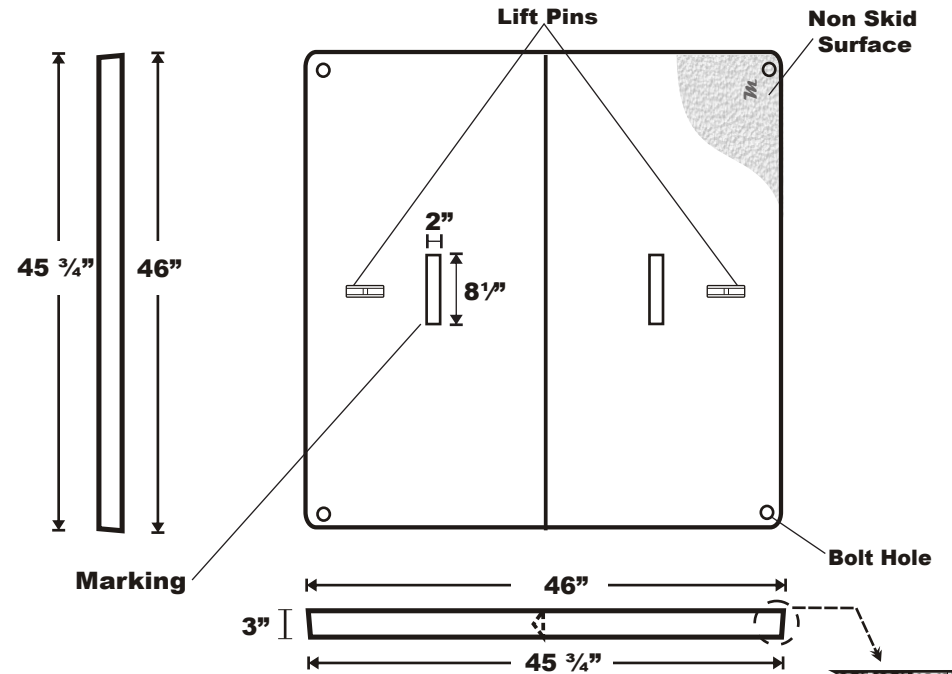


4848 FRP Series / Tier 15

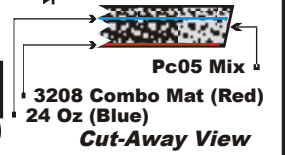
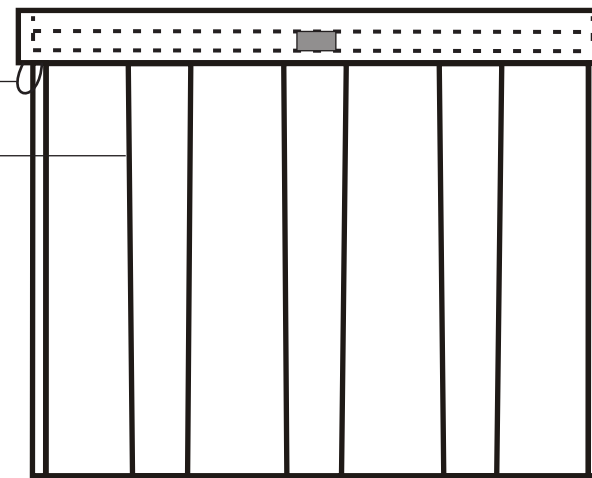
TOP VIEW



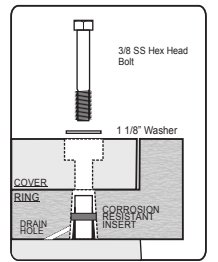
COVER VIEW



Wire Cable Lifting Loops




Hardware Detail



SIDE VIEW




END VIEW

| | | |
|--|--------------------------------|--------------------------|
| Part Number 4848 FRP Series | | |
| Body: FRP | Cover: Polymer Concrete | |
| Weight 670-690 lbs. | Tolerance +/- 1/8" | ANSI/SCTE 77 2013 |
| October 27, 2014 | File 4848 Series FRP | Tier 15 Rated |
| This product design is the sole property of Martin Enterprises. This design is NOT to be altered unless written permission is granted by Martin Enterprises. | | |



Martin Enterprises
"Your Underground Enclosure Experts"

ISO 9001:2008 Registered Firm
QuEST Forum / TL9000 Registered

www.martinfrp.com