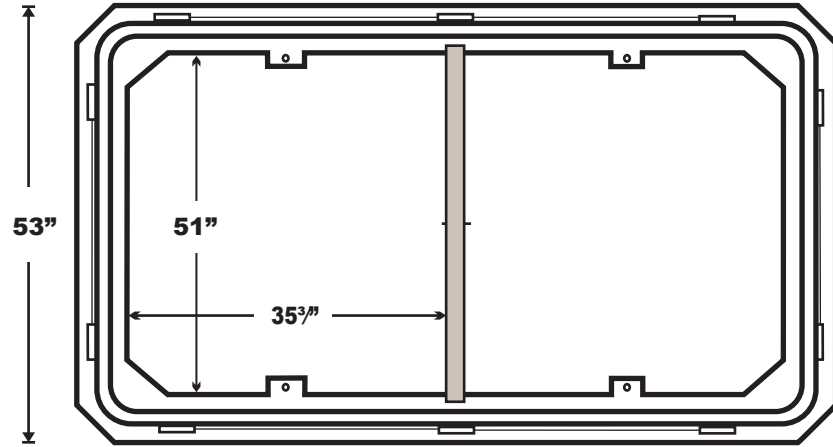
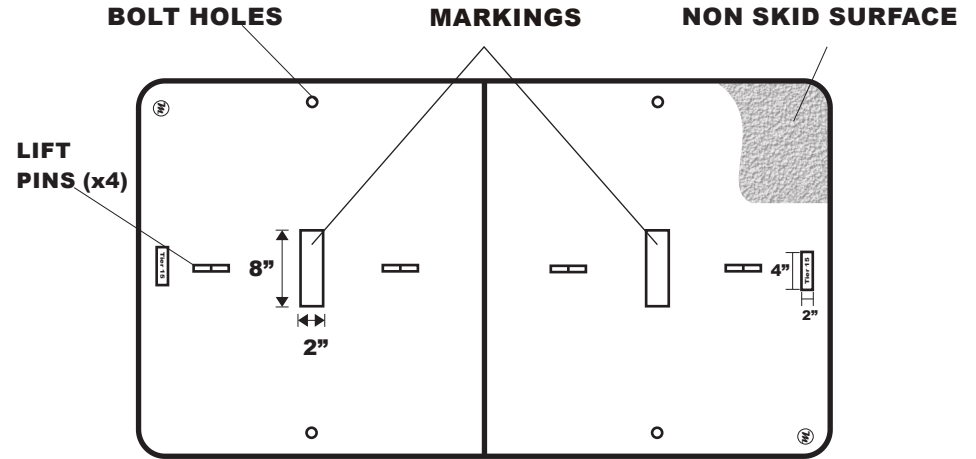


4872 FRP Series / Tier 15

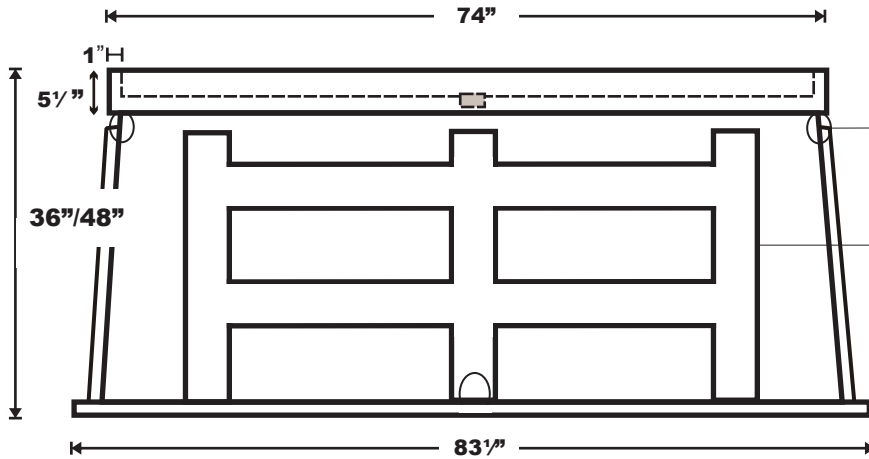
TOP VIEW



COVER VIEW



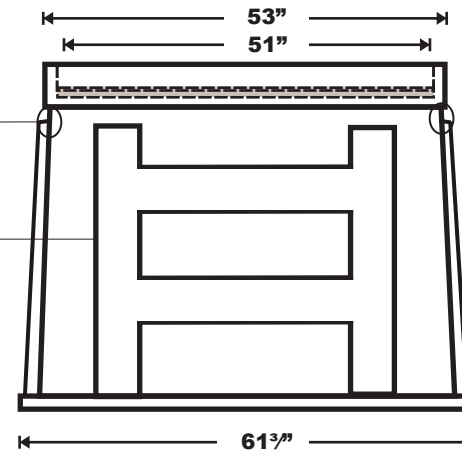
STEEL BEAM CENTER SUPPORT (3" x 3" 1/8")



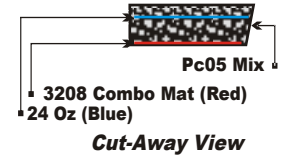
SIDE VIEW

Wire Cable Lifting Loops

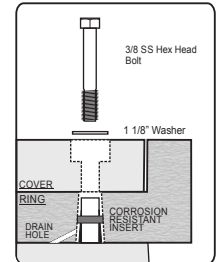
Vertical Reinforcements



END VIEW



Hardware Detail



Part Number 4872 FRP Series		
Body: FRP		Cover: Polymer Concrete
Weight: 900-950 lbs.	Tolerance: +/- 1/8"	ANSI/SCTE 77 2013
October 17, 2014	File # 4872 FRP Series	Tier 15 Rated
This product design is the sole property of Martin Enterprises. This design is NOT to be altered unless written permission is granted by Martin Enterprises.		



Martin Enterprises
"Your Underground Enclosure Experts"

ISO 9001:2008 Registered Firm
QuEST Forum / TL9000 Registered



www.martinfrp.com