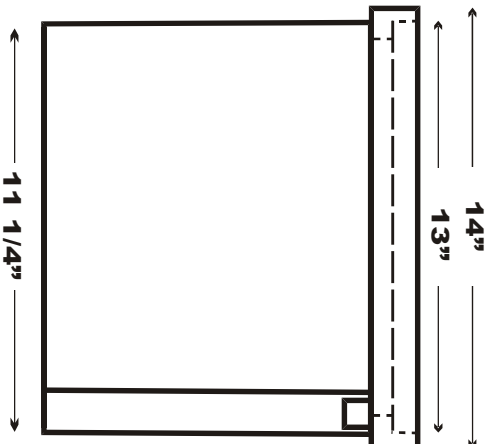
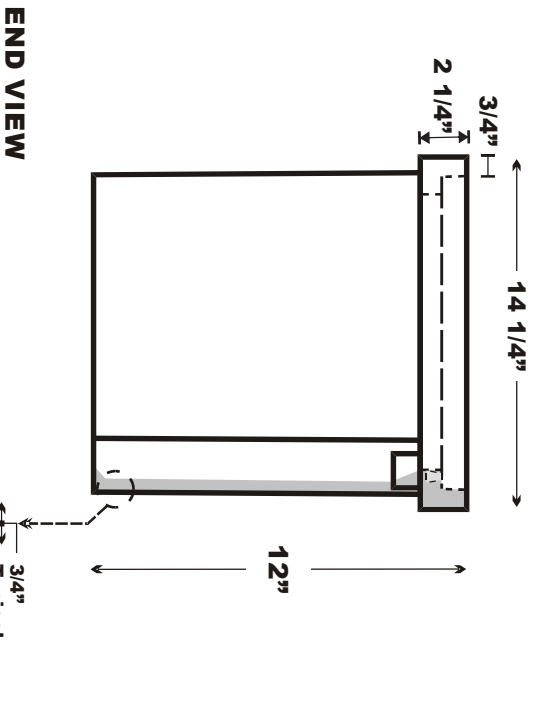
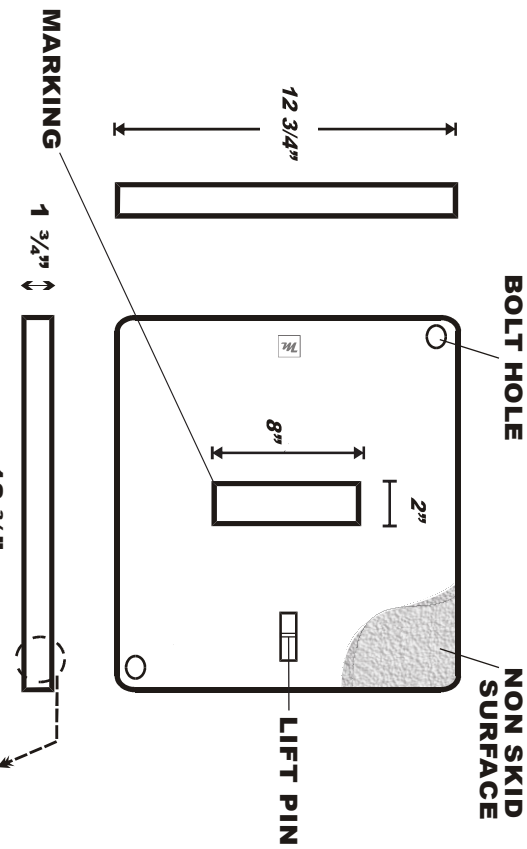
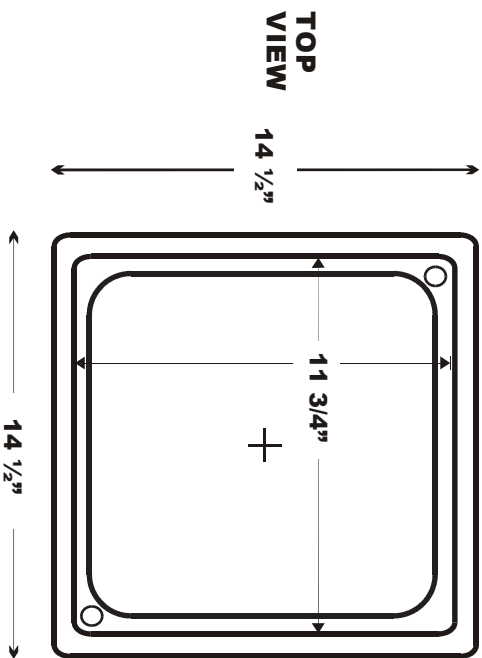
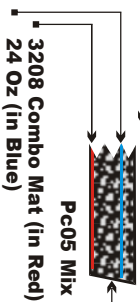


# 1212/12 Polymer Concrete / Tier 15

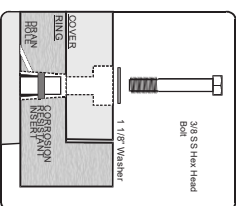
## COVER VIEW



### Cut-Away View



### Hardware Detail



## END VIEW

**Cut-Away View**  
Interior Wall  
Yellow Represents  
10 oz Mat - built into  
the interior and  
exterior wall

**Exterior Wall**  
Typical  
Wall Thickness  
3/4"  
Pc05 Mix

## SIDE VIEW

<b>Part No. 1212/12 Polymer Concrete</b>		<b>Cover: Polymer Concrete</b>	
<b>Body: Polymer Concrete</b>		<b>ANSI/SCTE 77 2013</b>	
<b>Weight 55lbs.</b>	<b>Tolerance +/- 1/8"</b>	<b>File 1212/12 PC</b>	<b>Tier 15 Rated</b>
<b>October 21, 2014</b>			

**Martin Enterprises**  
Your Underground Enclosure Experts®  
ISO 9001:2015 Registered Firm  
QUEST Forum / TL9000 Registered

www.martinfp.com  
Proprietary

This product design is the sole property of Martin Enterprises. This design is NOT to be altered unless written permission is granted by Martin Enterprises.