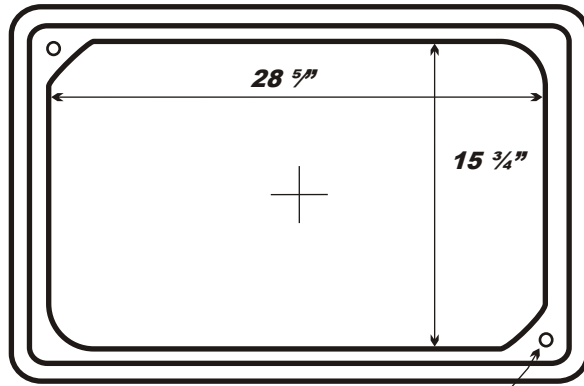


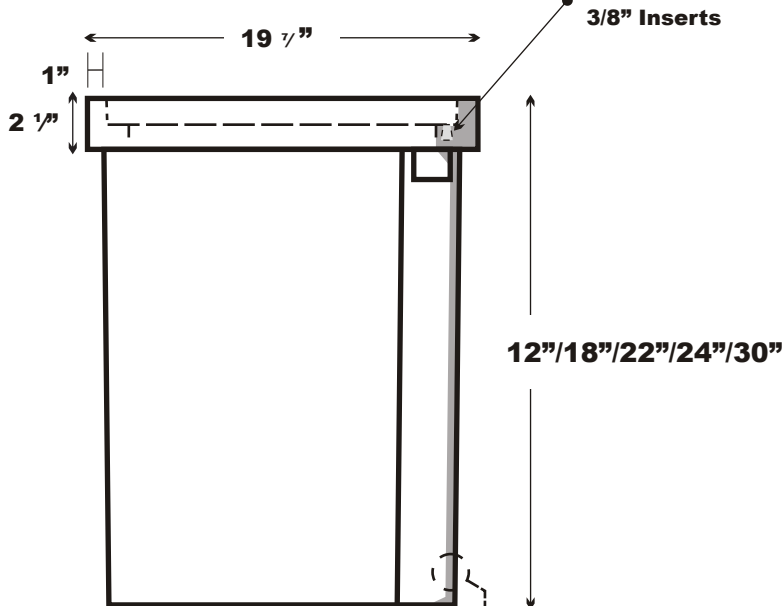
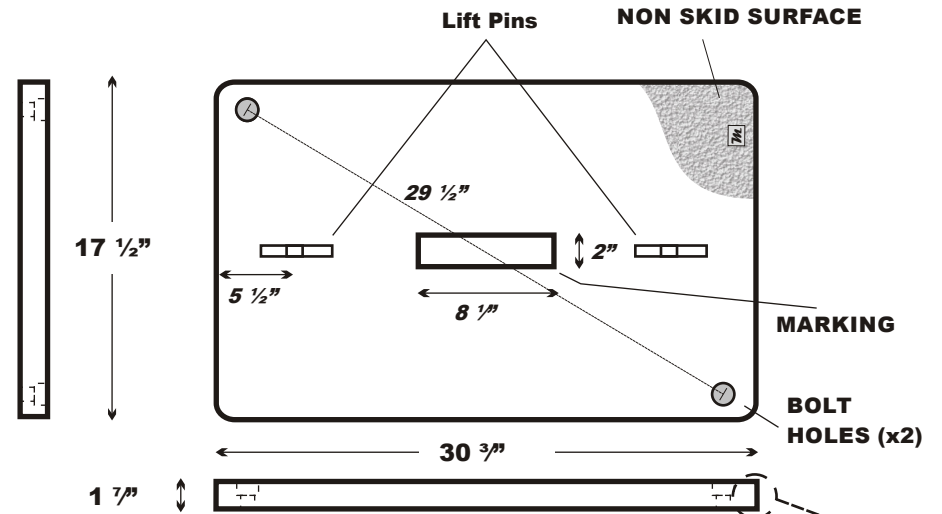
1730 Polymer Concrete Series / Tier 15 & 22

 **Listed Product**

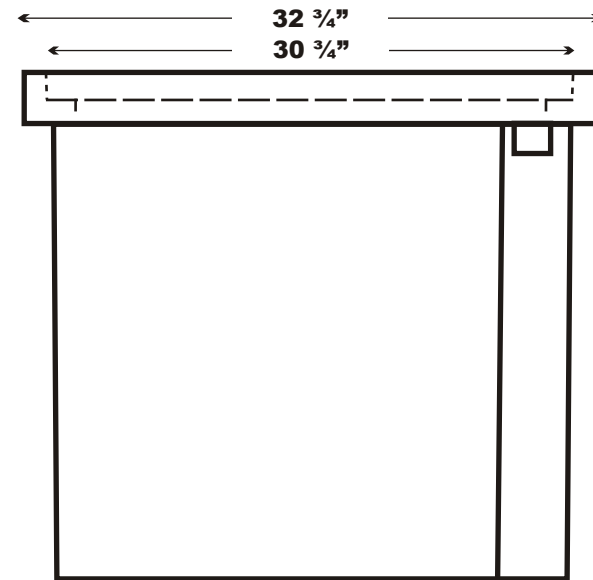
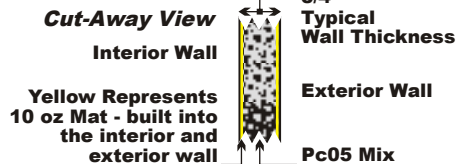
TOP VIEW



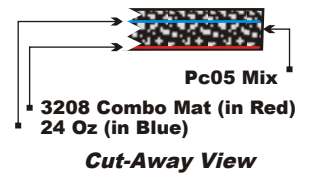
COVER VIEW



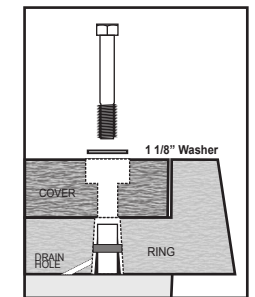
END VIEW



SIDE VIEW



Hardware Detail



Part No. 1730 Polymer Concrete Series

Body: Polymer Concrete Cover: Polymer Concrete

Weight 145-195 lbs. Tolerance +/- 1/8" ANSI/SCTE 77 2013

October 21, 2014 File 1730 PC Series Tier 15/22 Rated

This product design is the sole property of Martin Enterprises. This design is NOT to be altered unless written permission is granted by Martin Enterprises.



Martin Enterprises

"Your Underground Enclosure Experts"

**UL Listed Product File# E351227
ISO 9001:2008 Registered Firm
QuEST Forum / TL9000 Registered**



www.martinfrp.com