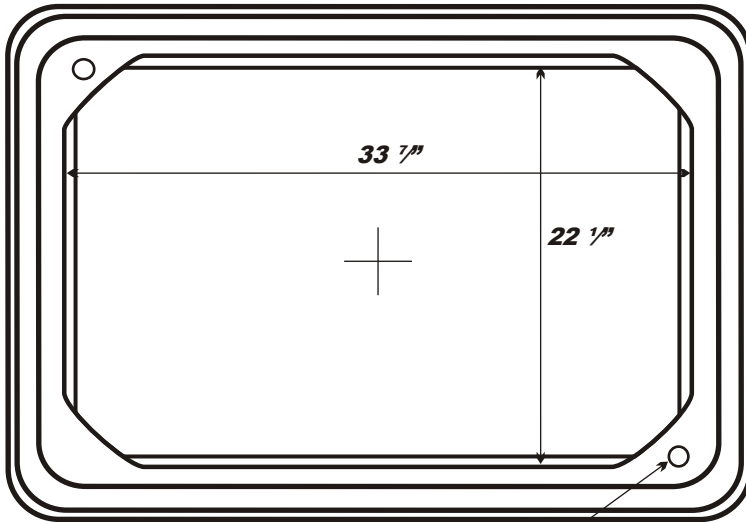


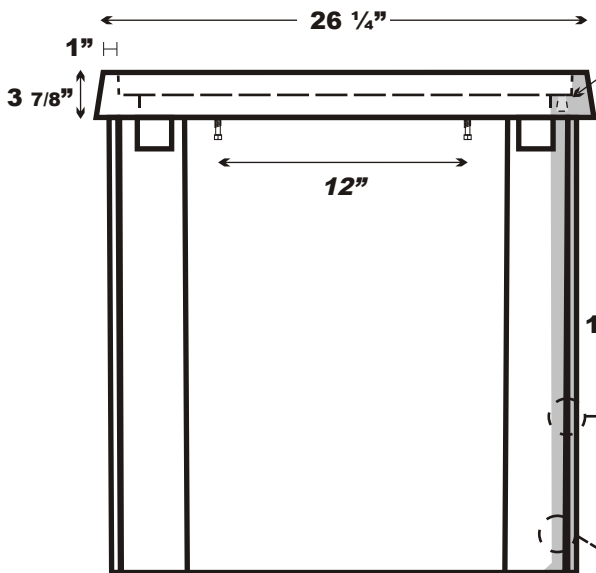
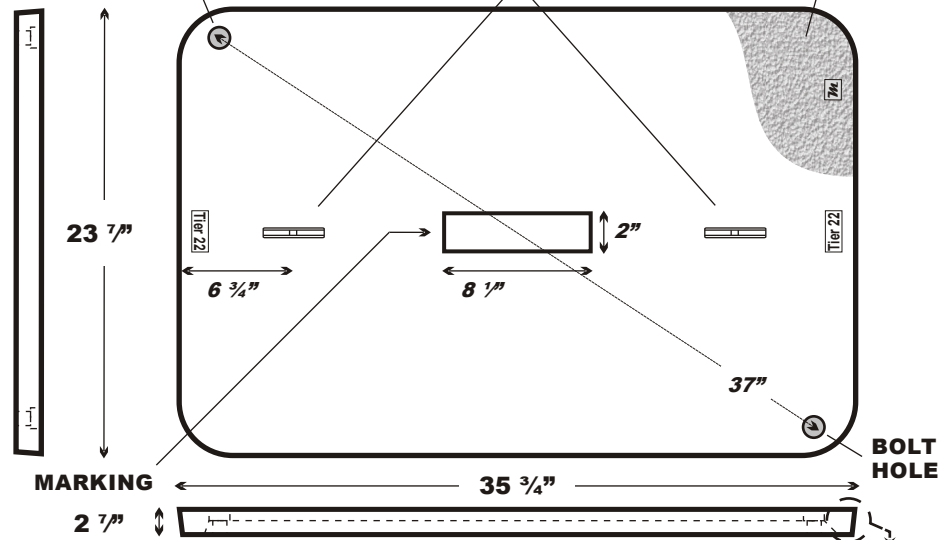
# 2436 Polymer Concrete Series / Tier 15 & 22

**UL Listed Product**

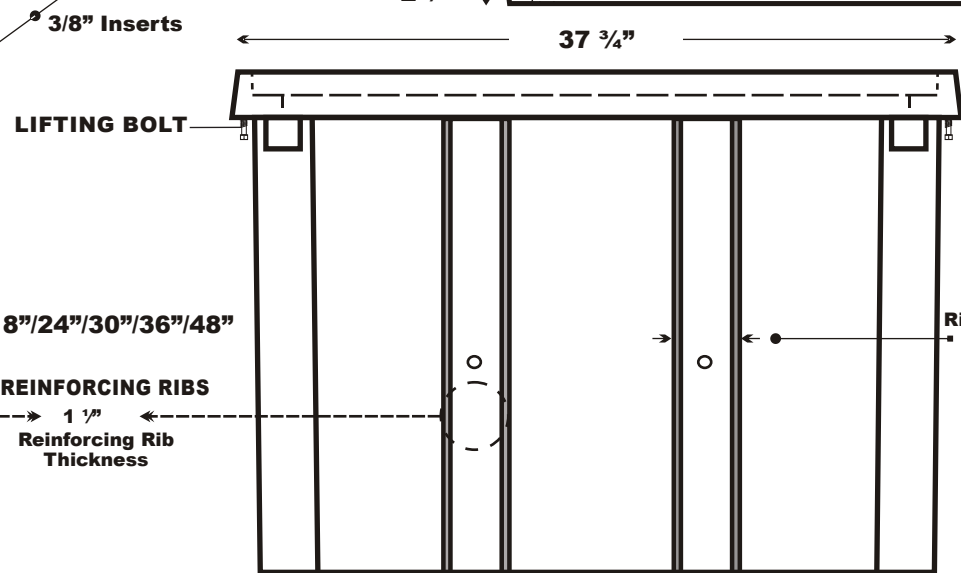
**TOP VIEW**



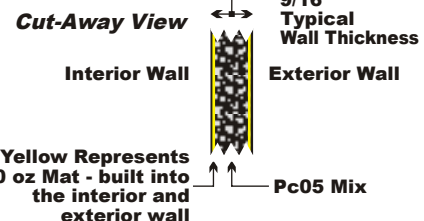
**COVER VIEW**  
Stainless Steel Lift Pins  
NON SKID SURFACE



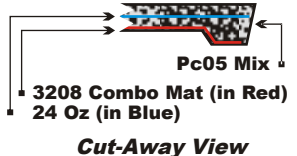
**END VIEW**



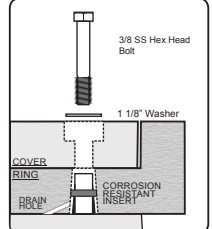
**SIDE VIEW**



Yellow Represents 10 oz Mat - built into the interior and exterior wall



**Hardware Detail**



<b>Part No. 2436 Polymer Concrete Series</b>		
<b>Body: Polymer Concrete</b>	<b>Cover: Polymer Concrete</b>	
<b>Weight 260-425 lbs.</b>	<b>Tolerance +/- 1/8"</b>	<b>ANSI/SCTE 77 2013</b>
<b>October 21, 2014</b>	<b>File 2436 PC Series</b>	<b>Tier 15/22 Rated</b>
This product design is the sole property of Martin Enterprises. This design is NOT to be altered unless written permission is granted by Martin Enterprises.		

**Martin Enterprises**  
"Your Underground Enclosure Experts"  
UL Listed Product File# E351227  
ISO 9001:2008 Registered Firm  
QuEST Forum / TL9000 Registered

**ANAB** ACCREDITED  
**QuEST** REGISTERED  
**UL**

[www.martinfrp.com](http://www.martinfrp.com)