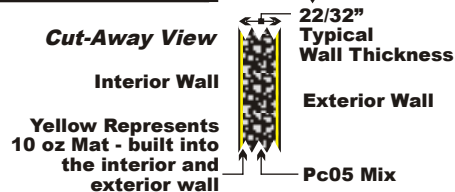
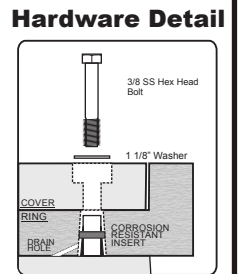
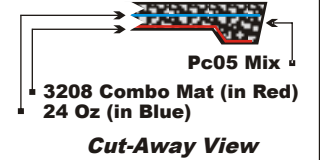
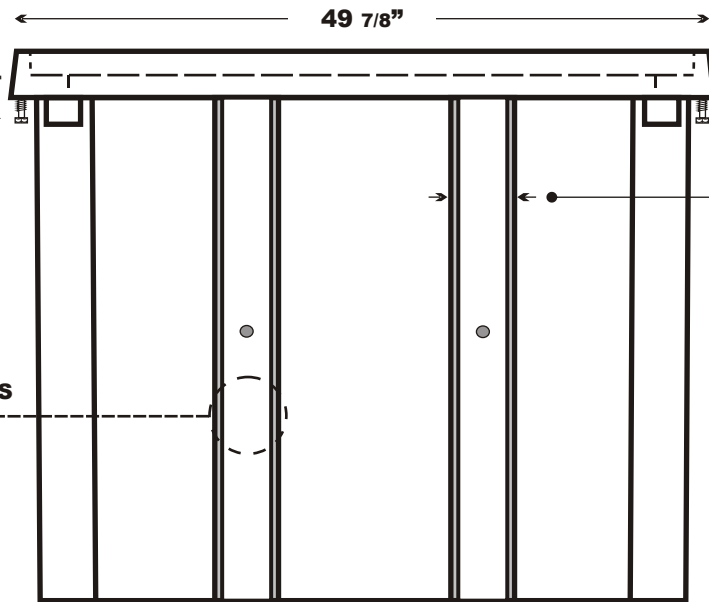
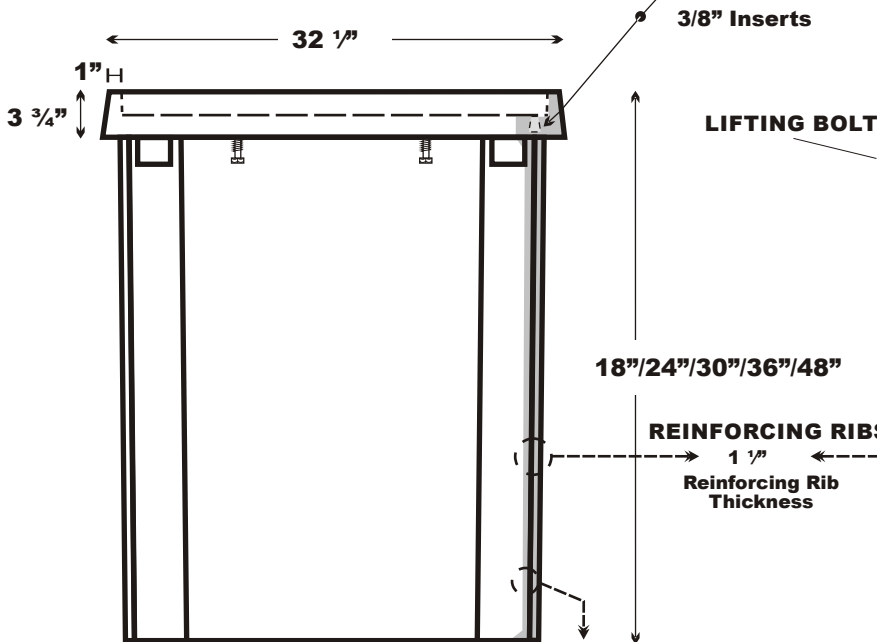
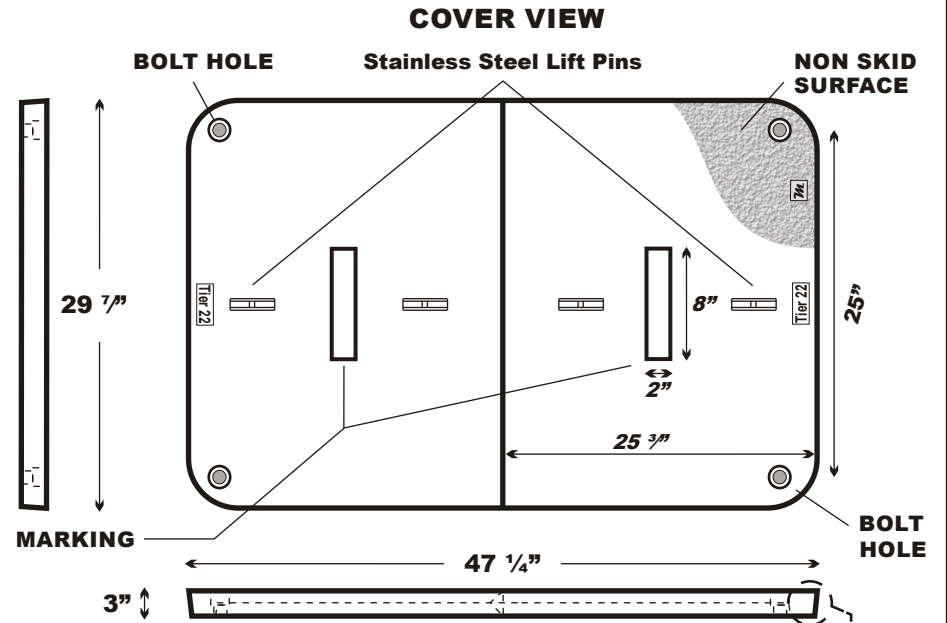
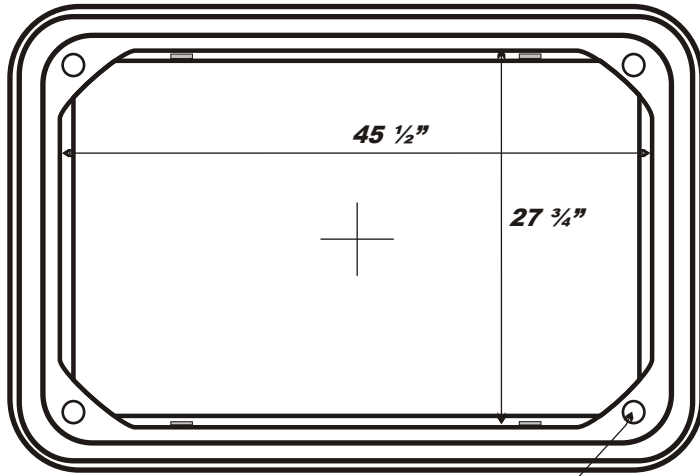


3048 Polymer Concrete Series / Tier 15 & 22

UL Listed Product

TOP VIEW



Part No. 3048 Polymer Concrete Series		
Body: Polymer Concrete		Cover: Polymer Concrete
Weight 430-725 lbs.	Tolerance +/- 1/8"	ANSI/SCTE 77 2013
October 21, 2014	File 3048 PC Series	Tier 15/22 Rated
This product design is the sole property of Martin Enterprises. This design is NOT to be altered unless written permission is granted by Martin Enterprises.		

Martin Enterprises
 "Your Underground Enclosure Experts"
 UL Listed Product File# E351227
 ISO 9001:2008 Registered Firm
 QuEST Forum / TL9000 Registered

www.martinfrp.com