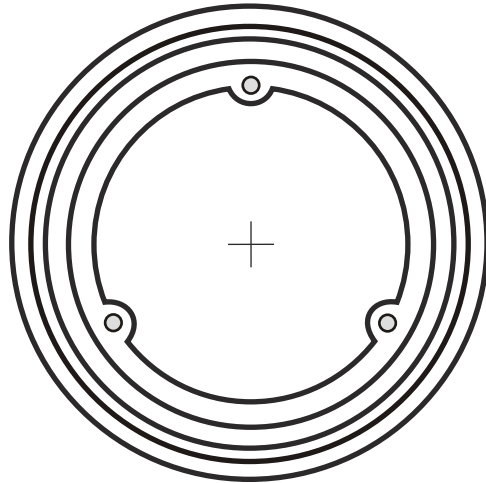


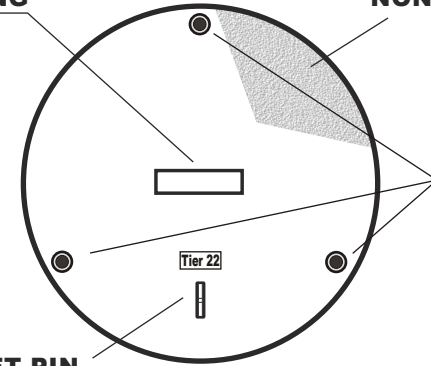
3248 Polymer Concrete / Tier 15

 **Listed Product**

TOP VIEW



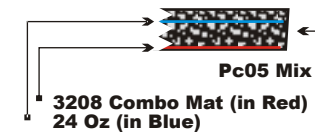
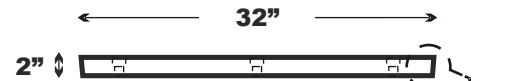
MARKING **NON SKID SURFACE**



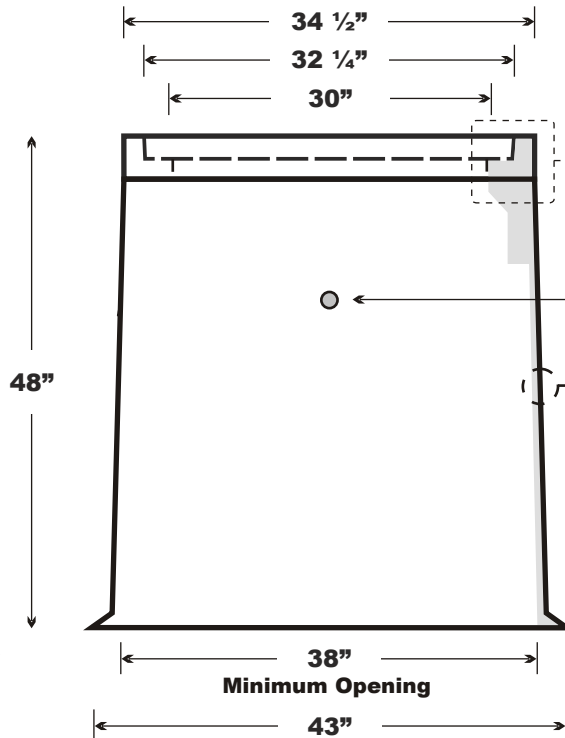
Bolt Hole (x3) Penta

LIFT PIN

COVER VIEW



Cut-Away View



Lifting Insert (x4)

Cut-Away View

5/8" Typical Wall Thickness

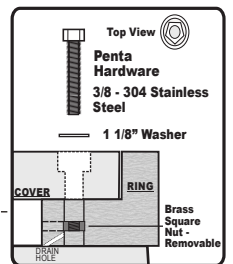
Interior Wall

Exterior Wall

Yellow Represents 10 oz Mat - built into the interior and exterior wall

Pc05 Mix

Hardware Detail



Part No. 3248/48 Polymer Concrete		
Body: Polymer Concrete		Cover: Polymer Concrete
Weight 400 lbs.	Tolerance +/- 1/8"	ANSI/SCTE 77 2013
October 21, 2014	File 3248/48 PC	Tier 15 Rated
This product design is the sole property of Martin Enterprises. This design is NOT to be altered unless written permission is granted by Martin Enterprises.		

 **Martin Enterprises**
 "Your Underground Enclosure Experts"
 UL Listed Product File# E351227
 ISO 9001:2008 Registered Firm
 QuEST Forum / TL9000 Registered

www.martinfrp.com