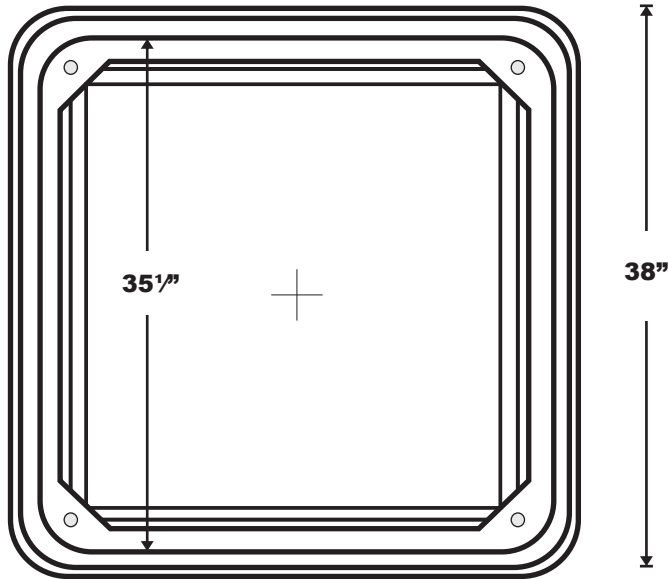
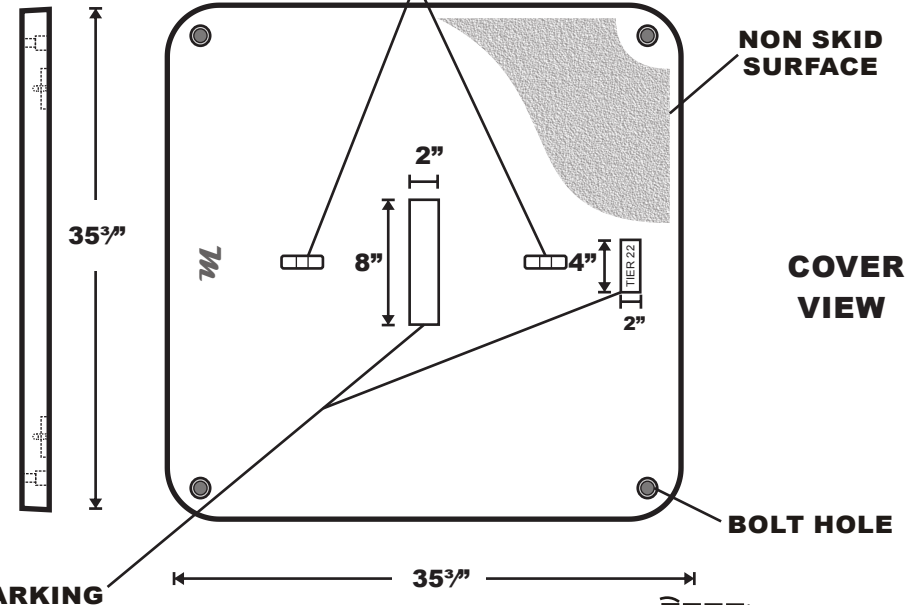


3636 Polymer Concrete Series / Tier 15 & 22

TOP VIEW



LIFT PINS

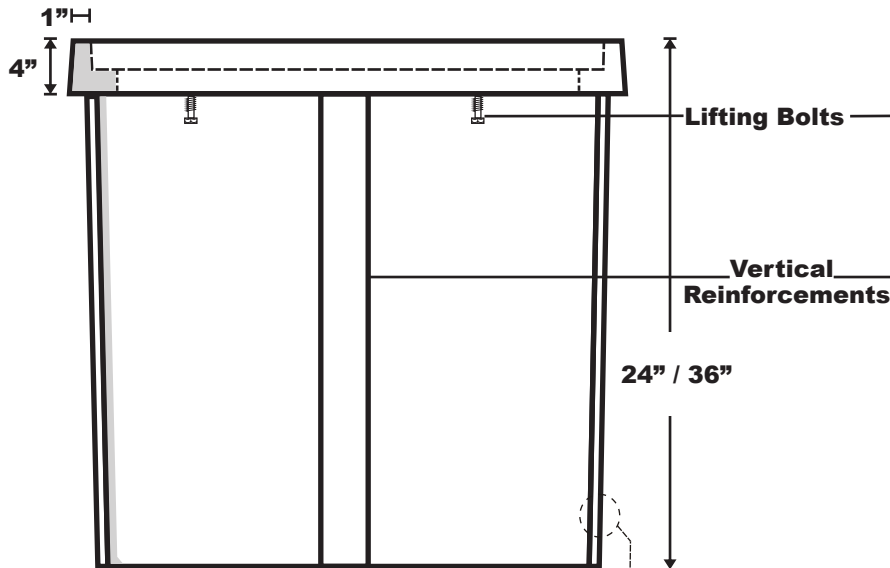


NON SKID SURFACE

COVER VIEW

BOLT HOLE

MARKING

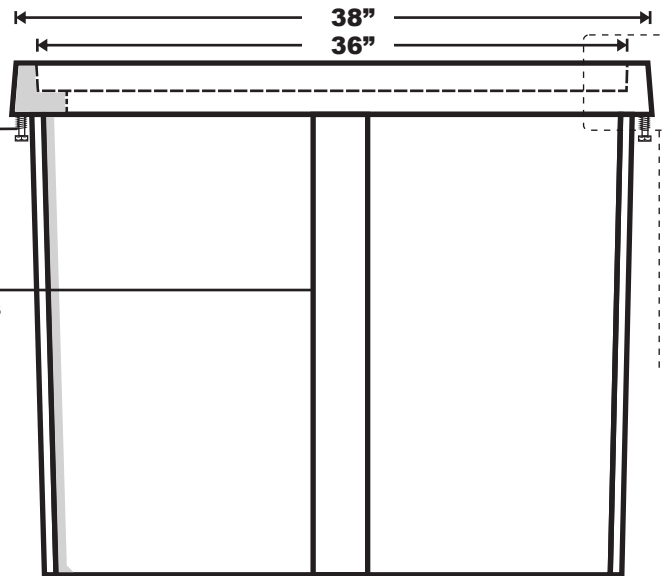
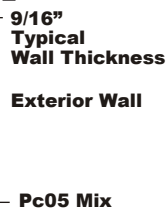


END VIEW

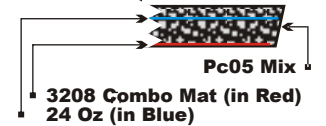
Interior Wall

Exterior Wall

Yellow Represents 10 oz Mat - built into the interior and exterior wall

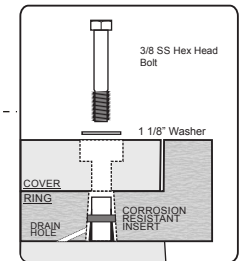


SIDE VIEW



Cut-Away View

Hardware Detail



Part No. 3636 Polymer Concrete Series		
Body: Polymer Concrete	Cover: Polymer Concrete	
Weight 560-600lbs.	Tolerance +/- 1/8"	ANSI/SCTE 77 2013
October 21, 2014	File: 3636 PC Series	Tier 15/22 Rated
This product design is the sole property of Martin Enterprises. This design is NOT to be altered unless written permission is granted by Martin Enterprises.		



Martin Enterprises
"Your Underground Enclosure Experts"

ISO 9001:2008 Registered Firm
Quest Forum / TL900 Registered



PERRY JOHNSON REGISTRARS, INC.

www.martinfip.com