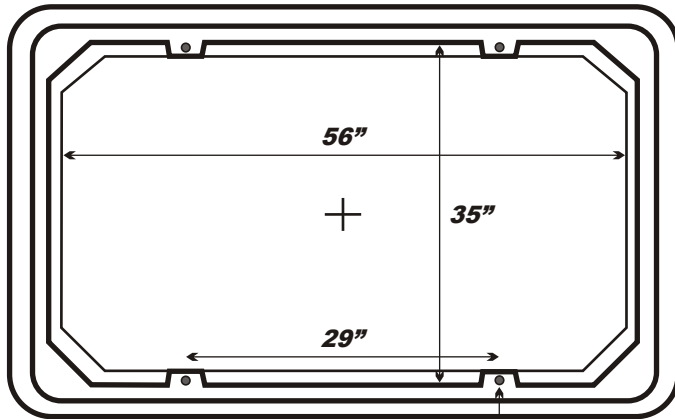


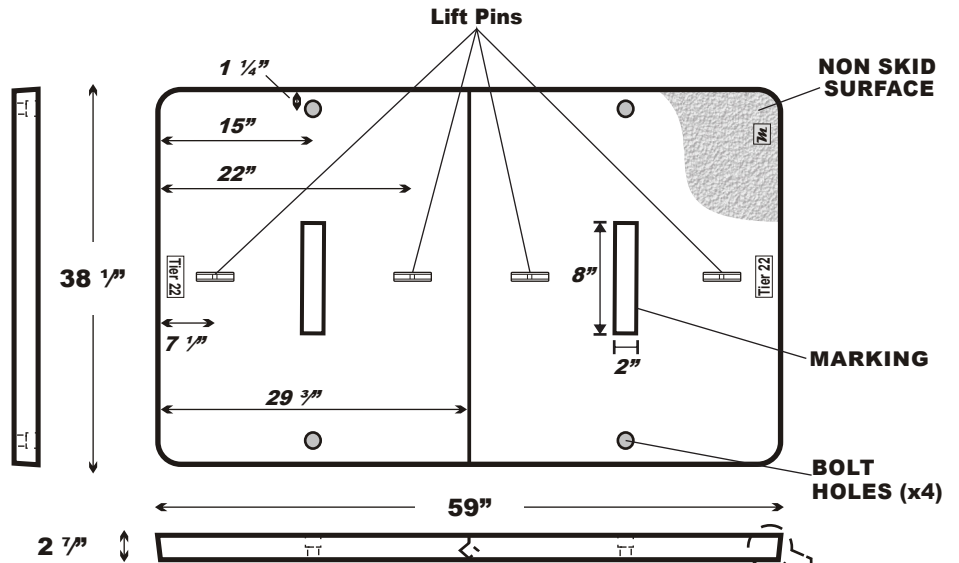
3660 Polymer Concrete Series / Tier 15 & 22



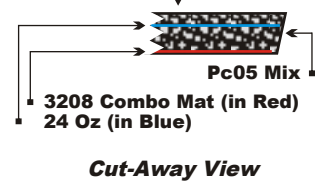
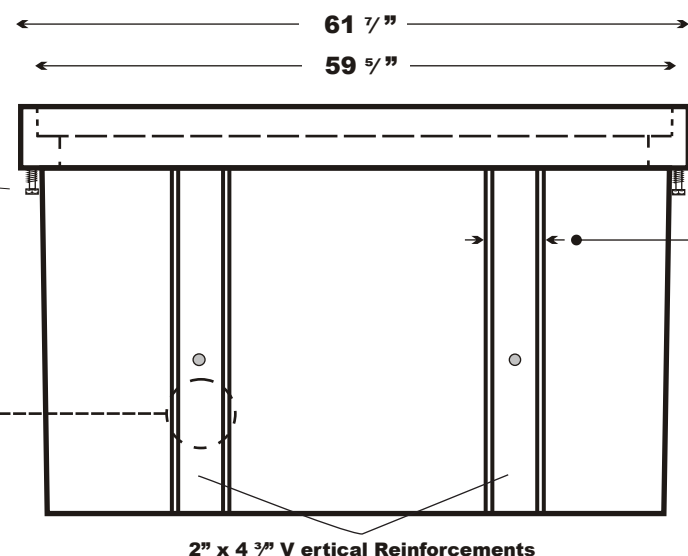
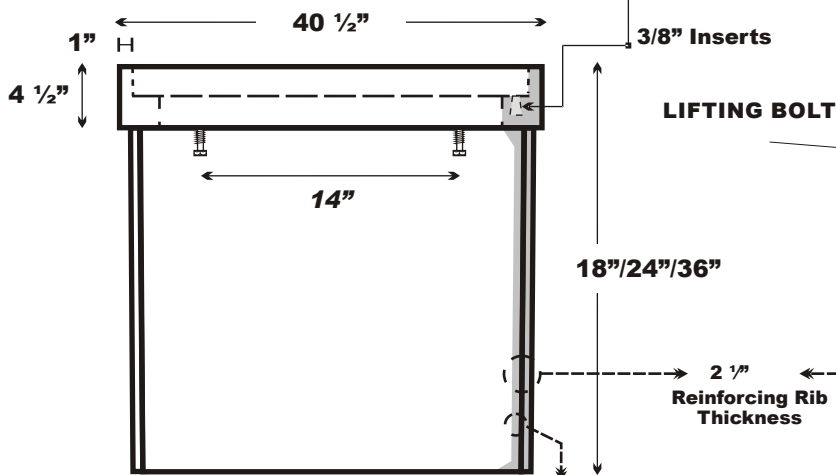
TOP VIEW



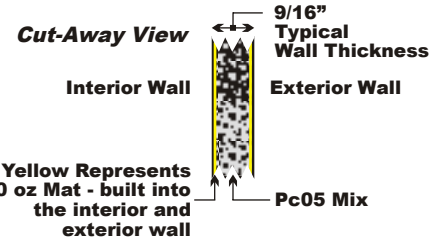
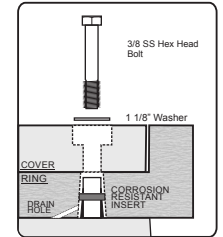
COVER VIEW



END VIEW



Hardware Detail



SIDE VIEW

Part No. 3660 Polymer Concrete Series		
Body: Polymer Concrete	Cover: Polymer Concrete	
Weight 740-920 lbs.	Tolerance +/- 1/8"	ANSI/SCTE 77 2013
October 21, 2014	File 3660 PC Series	Tier 15/22 Rated
This product design is the sole property of Martin Enterprises. This design is NOT to be altered unless written permission is granted by Martin Enterprises.		

Martin Enterprises
 "Your Underground Enclosure Experts"
 UL Listed Product File# E351227
 ISO 9001:2008 Registered Firm
 QuEST Forum / TL9000 Registered

www.martinfrp.com